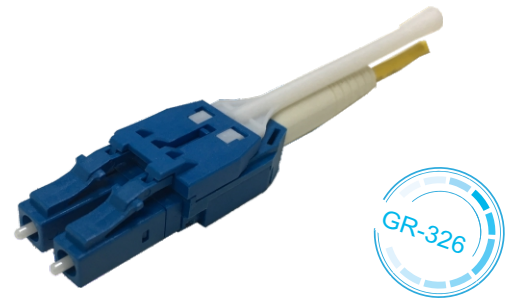


LC-HD High Density Connector



Description

- WCFO's LC-HD High Density connector employs two (2) 1.25mm O.D. zirconia ceramic ferrules for either PC or APC applications. WCFO's LC-HD Uniboot connector features round style 2.0mm, 2.4mm, and 3.0mm jacketed cables which reduce cable congestion and makes cable management easier in today's highly dense application. The connector design utilizes a flexible "Pull & Push tab" allowing for the connector to be disengaged easily from densely loaded panels without the need for special tools.

Features

- Unique design uses round style 2.0mm, 2.4mm, and 3.0mm Cable
- Available in SM, MM versions with super, Ultra and APC polishing
- 60% increase in connector density
- Duplex Uniboot connector available
- Conforms to IEC61754-20
- Conforms to Telcordia GR-326-CORE
- All parts comply w/ RoHS 2.0 / REACH
- High density applications

Application

- Telecommunication
- CATV
- LAN & WAN
- Network
- Broadband
- FTTP
- Data centers

Parameter

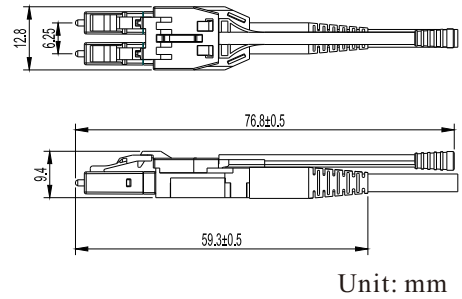
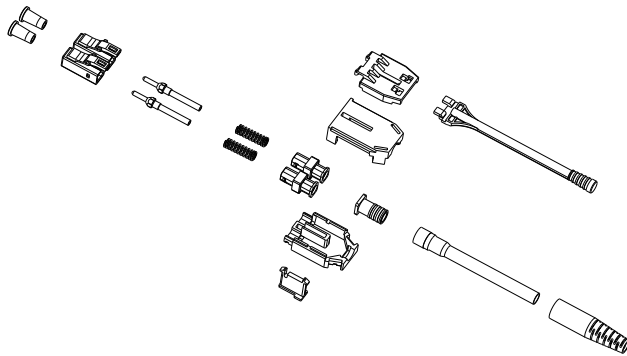
Item	SM	MM
Insertion Loss	$\leq 0.3\text{dB}^*$	$\leq 0.3\text{dB}^*$
	Customize	
Durability	0.2dB Max. Increase	
Ferrule Concentricity	$\leq 1\mu\text{m}$	$\leq 4\mu\text{m}$
	Customize	
Ferrule inner diameter tolerance	125.0+1/-0um	126+3/-0um
	125.5+1/-0um	127+3/-0um
	Customize	
Ferrule outer diameter tolerance	+/-0.5um	
Operating/Storage Temperature	-40 °C ~ +85 °C	

*NOTE: Insertion Loss performance is controlled through fiber and termination process parameters.

Appearance & Dimension



LC-HD Φ 2.0 Uniboot Connector



LC-HD Φ 2.4/3.0 Uniboot Connector

